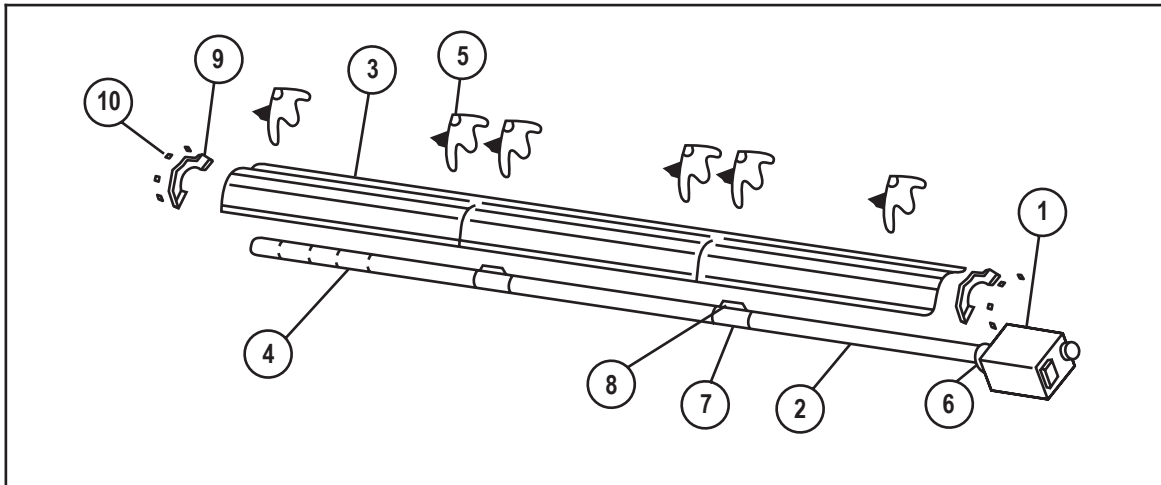
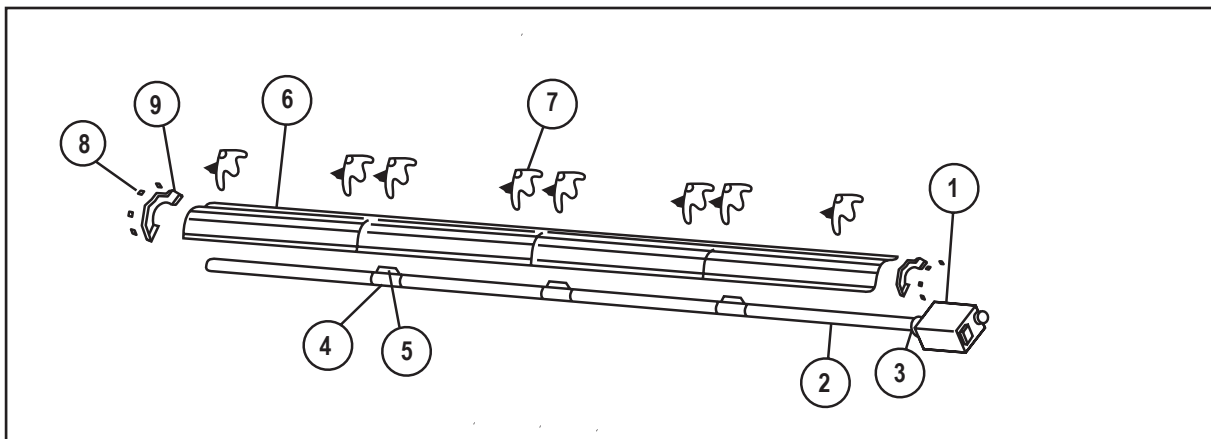


## SECTION 9: Replacement Parts for Heatstar ER2STG Tube Heaters



**ER2STG 60-100**

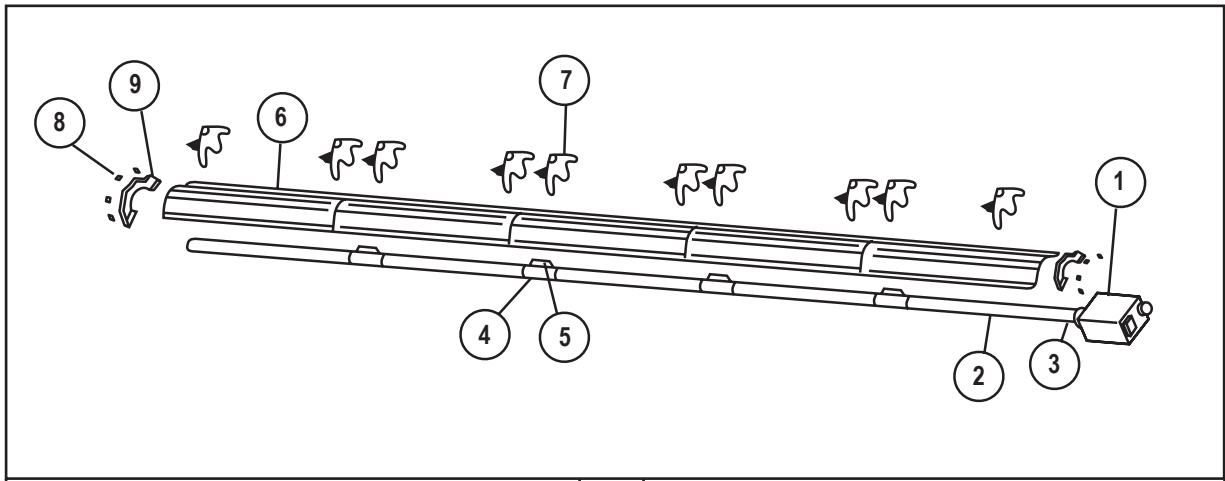
Item	Stock #	Description	QTY	Item	Stock#	Description	QTY
1	F102600	ER2 60-100 NG / BRN & Cont Box	1	6	02753	Front Flange	1
	F102602	ER2 60-100 LP / BRN & Cont Box	1	7	14612	Tube Coupling	2
2	F106401XL	ER2 60-100, / Tube Set- 30'	1	8	14616	Key for Tube Coupling	2
	06413	Tube H.E. 4" O.D. X 10'	3	9	00419	Reflector End Cap	2
3	00418A	Reflector	3	10	09369	Spring Clips	8
4	03447	Turbulator Baffle 5'	1				
5	14585P	Hanger	4				



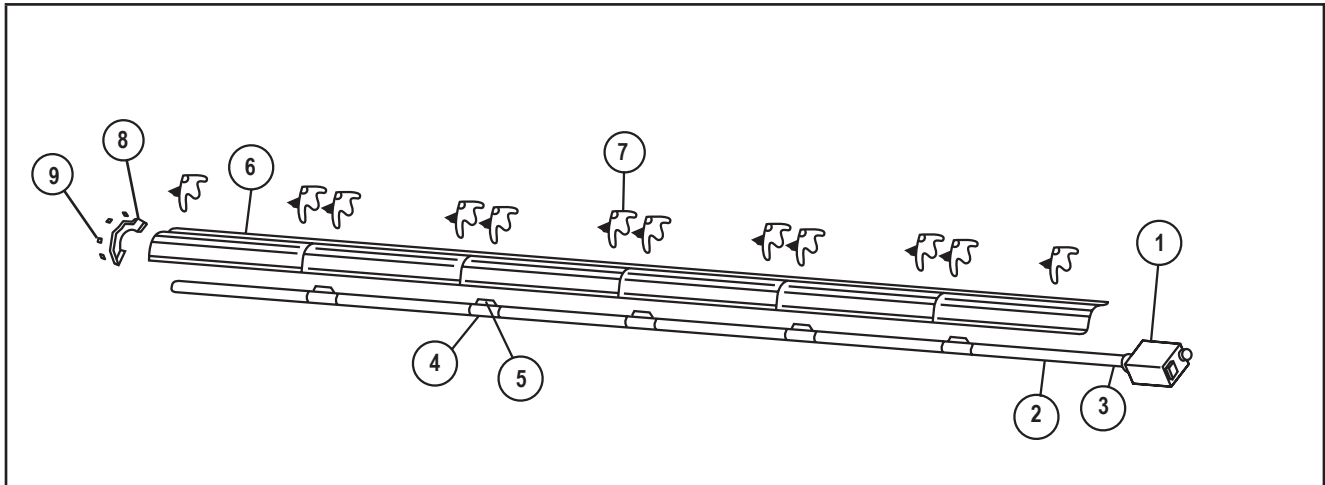
**ER2STG 60-100**

**ER2STG 80-125**

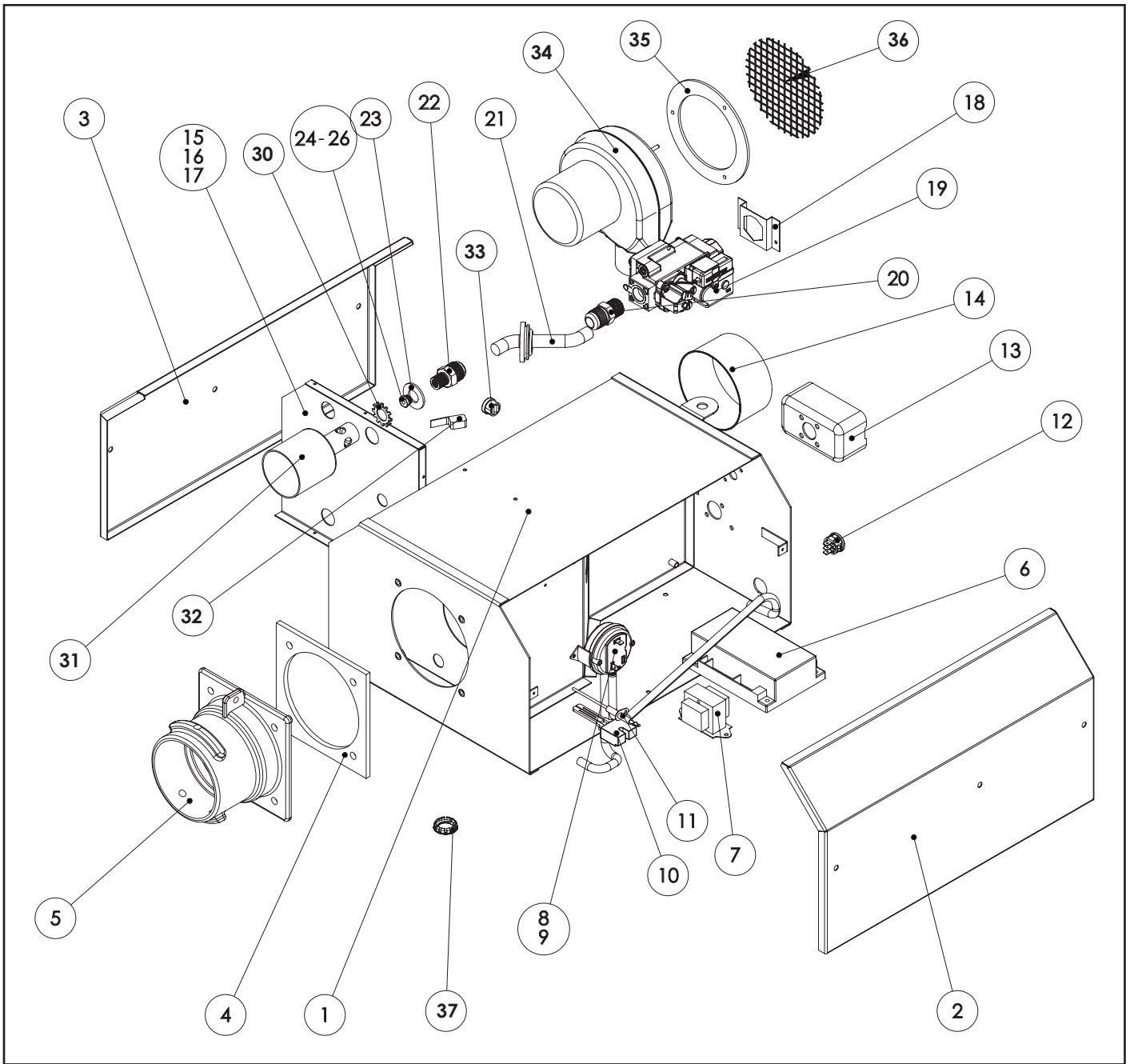
Item	Stock #	Description	QTY	Item	Stock#	Description	QTY
1	F102600	ER2 60-100 NG / BRN & Cont Box	1	1	F102605	ER2 80-125 NG / BRN & Cont Box	1
	F102602	ER2 60-100 LP / BRN & Cont Box	1		F102607	ER2 80-125 LP / BRN & Cont Box	1
2	F106406XL	ER2 60-100, / Tube Set- 40'	1	2	F106406XL	ER2 60-125, / Tube Set- 40'	1
	06413	Tube H.E. 4" O.D. X 10'	4		06413	Tube H.E. 4" O.D. X 10'	4
6	02753	Front Flange	1	3	02753	Front Flange	1
4	14612	Tube Coupling	1	4	14612	Tube Coupling	1
5	14616	Key for Tube Coupling	1	5	14616	Key for Tube Coupling	1
6	00418A	Reflector	4	6	00418A	Reflector	4
7	14585P	Hanger	8	7	14585P	Hanger	8
8	00419	Reflector End Cap	2	8	00419	Reflector End Cap	2
9	09369	Spring Clips	8	9	09369	Spring Clips	8



ER2STG 80-125				ER2STG 125-175			
Item	Stock #	Description	QTY	Item	Stock#	Description	QTY
1	F102605	ER2 80-125 NG / BRN & Cont Box	1	1	F102610	ER2 125-175 NG / BRN & Cont Box	1
1	F102607	ER2 80-125 LP / BRN & Cont Box	1	1	F102612	ER2 125-175 LP / BRN & Cont Box	1
2	F106407XL	Tube Set- 50'	1	2	F106407XL	Tube Set- 50'	1
	06413	Tube H.E. 4" O.D. X 10'	3		06413	Tube H.E. 4" O.D. X 10'	3
3	02753	Front Casting	1	3	02753	Front Casting	1
4	14612	Tube Flange	2	4	14612	Tube Flange	2
5	14616	Key for Tube Coupling	2	5	14616	Key for Tube Coupling	2
6	00418A	Reflector	5	6	00418A	Reflector	5
7	14585	Hanger	10	7	14585	Hanger	10
8	00419	Reflector End Cap	2	8	00419	Reflector End Cap	2
9	09369	Spring Clips	8	9	09369	Spring Clips	8



ER2STG-175							
Item	Stock #	Description	QTY	Item	Stock#	Description	QTY
1	F102610	ER2 125-175 NG / BRN & Cont Box	1	5	14616	Key for Tube Coupling	5
1	F102612	ER2 125-175 LP / BRN & Cont Box	1	6	00418A	Reflector	6
2	F106403XL	Tube Set- 60'	1	7	14585P	Hanger	12
	06413	Tube H.E. 4" O.D. X 10'	6	8	00419	Reflector End Cap	2
3	02753	Front Flange	1	9	09369	Spring Clips	8
4	14612	Tube Coupling	5				



ITEM#	EGI #	DESCRIPTION	QTY
1	02716XL	ENCLOSURE	1
2	02725XL	CONTROL SIDE COVER	1
3	02749XL	MOTOR SIDE COVER	1
4	12397	FRONT FLANGE GASKET	1
5	02753	FRONT TUBE FLANGE	1
6	02835	IGNITION MODULE	1
7	08364A	TRANSFORMER	1
8	10413A	125/80 & 100/60 PRESSURE SWITCH	1
9	10414A	175/125 PRESSURE SWITCH	1
10	02797	HOT SURFACE IGNITER	1
11	02730	FLAME SENSOR ROD	1
12	02847	THERMOSTAT 3 TERMINAL BUSHING	1
13	99101	ELECTRICAL JUNCTION BOX	1
14	02747	BLOWER INTAKE FLANGE	1
15	05510XL	100/60K AIR PLATE	1
16	05500XL	125/80K AIR PLATE	1

ITEM#	EGI #	DESCRIPTION	QTY
17	05508XL	175/125K AIR PLATE	1
18	02844	GAS VALVE BRACKET	1
19	00021	GAS VALVE	1
20	02758	GAS VALVE OUTLET FITTING	1
21	17389	GAS MANIFOLD WITH GROMMET	1
22	02720	ORIFICE HOLDER FITTING	1
23	98541	ORIFICE HOLDER FLAT WASHER	1
24	05712	100/60 ORIFICE (NG)	1
25	05733	100/60 ORIFICE (LP)	1
26	05703	125/80 ORIFICE (NG)	1
27	05730	25/80 ORIFICE (LP)	1
28	05799	175/125 ORIFICE (NG)	1
29	05725	175/125 ORIFICE (LP)	1
30	98547	EXTERNAL TOOTH WASHER	1
31	02371	BURNER CUP	1
32	10391A	DOOR SWITCH	1

ITEM#	EGI #	DESCRIPTION	QTY
33	02721	2-TERMINAL BUSHING	1
34	07376	BLOWER	1
35	12395	BLOWER GASKET	1
36	02718	BLOWER SCREEN	1
37	02795	SIGHT WINDOW	1

**ACCESSORIES:**

Stock Number	Description
F102601	Thermostat
17370	Chain Kit
16401	24" Stainless Steel Flexible
16405	1/2"x24" 3/4" Stainless Steel
F106414	180 U-Tube Accessory Kit
F106415	90 Elbow Accessory Kit
06430	Vent Cap
00438	Side Reflector kit
01376	Deflector Kit (5')
19031	Turnbuckle 5/16"-18"